

Model 860SJ

TELESCOPIC BOOM LIFTS



MORE ECONOMIC

- Lift more with new, restricted platform capacity 340kg.

MORE PRODUCTIVE

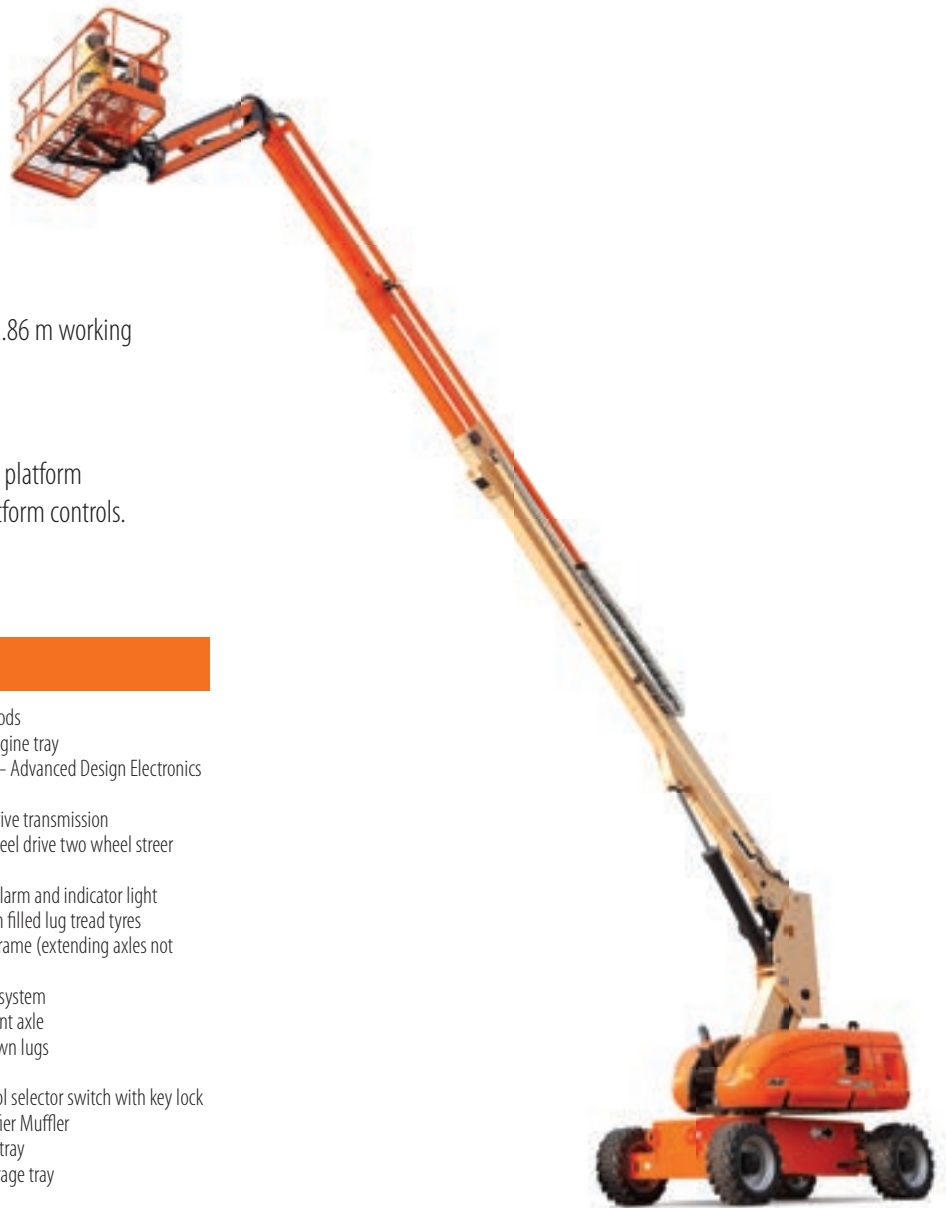
- Equipped with hydrostatic drive for easy, precise, infinitely-variable-speed manoeuvrability.

MORE ACCESS

- Work easily in tight spaces with class-leading 22.86 m working outreach.

SMART DESIGN

- Fewer buttons and switches used to position the platform and less time spent learning how to use the platform controls.



Standard Features

- 0.92 m x 2.44 m swing gate entry
- Multiple function operation
- Full proportional drive joystick control with integral thumb steer switch
- Full proportional main boom and swing joystick control
- Multiple speed control for telescope and platform rotate
- Selectable creep speed on drive / lift and swing functions
- 1.83 m articulating jib
- 180 degree powered platform rotator
- Platform console machine status light panel¹
- New led backlit display with improved visibility in the direct sunlight⁷
- Load sensing system
- AC cable to platform
- Deutz TD 2.9 L4 (50kw) diesel engine
- Engine distress warning/shut down system²
- Gull-wing hoods
- Swing-out engine tray
- Control ADE® - Advanced Design Electronics System
- Hydrostatic drive transmission
- Four/ two wheel drive two wheel steerer
- Horn
- 4 degree tilt alarm and indicator light
- 18 - 625 foam filled lug tread tyres
- Fixed-width frame (extending axles not required)
- Load sensing system
- Oscillating front axle
- Lifting/tie down lugs
- Hour meter
- Ground control selector switch with key lock
- Catalytic Purifier Muffler
- Platform tool tray
- Container storage tray

Standard Specifications

- | | |
|----------------------|--|
| • Diesel Engine | Deutz stage IVi, TD2.9 L4 W (68HP, 50Kw) |
| • Fuel Tank Capacity | 117.3 L |
| • Hydraulic System | 235 L |
| • Auxiliary Power | 12V DC |

Accessories & Options

- 0.92 m x 1.83 m swing gate or drop bar
- 0.76 m x 1.52 m swing gate or drop bar
- 0.76 m x 1.22 m swing gate or drop bar platform
- 0.92 m x 2.44 m drop bar
- 0.76 m x 0.92 m drop bar
- Tri entry 0.91 m x 1.83 m swing gate
- Tri entry 0.91 m x 1.83 m drop bar
- Tri entry 0.91 m x 2.44 m drop bar
- Tri entry 0.91 m x 2.44 m swing gate
- 13 mm air line to platform
- Sheet metal hoods
- Spark arresting type muffler
- 18 - 625 Foam Filled non marking
- On-board 4,000W generator
- SkyPower® package 7,500 watt on-board generator
- SkyWelder® package 250 amp welder in the platform³
- Nite-Bright® package⁴
- All motion alarm
- Light package⁵
- Head and tail lights
- Flashing amber beacon
- Plugs & Sockets
- Hostile environment package⁶
- Hydraulic oil cooler
- Skyguard with/without beacon
- Skyline/ Skyeye
- Skysense system level 1 and level 2
- ClearSky Locate
- ClearSky CAN
- Soft Touch Proximity System

¹ Provides indicator lights at platform control console for system distress, low fuel, tilt light, and foot switch status.
² Low oil pressure and high coolant temperature alarms with shut-down enabled/disabled by analyser.
³ Available when integrated with the SkyPower® package.
⁴ Consists of six 40-watt lights, four turntable mounted lights and two platform mounted lights.
⁵ Includes platform mounted work lights and head & tail lights.
⁶ Includes console cover, boom wipers and cylinder bellows.
⁷ Provides indicator lights at platform control console for system distress, low fuel, tilt light, and foot switch status working envelope.

Model 860SJ

TELESCOPIC BOOM LIFTS

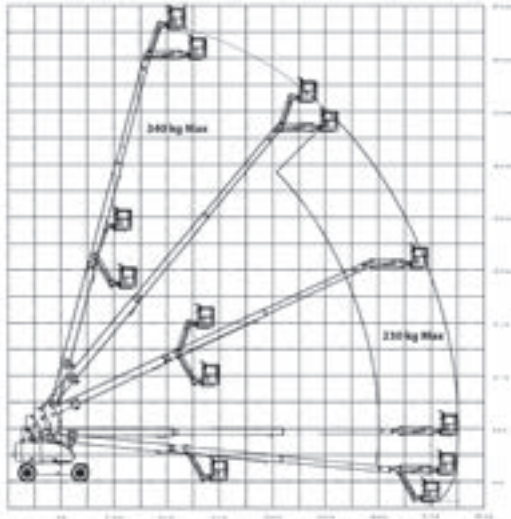
Performance

• Working Height	28.21 m
• Platform Height	26.21 m
• Horizontal Outreach	22.86 m
• Working Outreach **	23.51 m
• Swing (Continuous)	360°
• Platform Capacity - Restricted	👤 340 kg
• Platform Capacity - Unrestricted	👤 230 kg
• Platform Rotator (Hydraulic)	180°
• Jib - Overall Length	1.83 m
• Jib - Range of articulation	130° (+70°/-60°)
A. Platform Size	0.92 m x 2.44 m
B. Overall Width	2.49 m
C. Tailswing (working condition)	1.42 m
D. Stowed Height	3.05 m
E. Stowed Length	12.2 m
F. Wheelbase	3.06 m
G. Ground Clearance	0.28 m
• Machine weight *	16,732 kg
• Maximum Ground Bearing Pressure	5.69 kg/cm ²
• Maximum Tyre Load	9163 kg
• Drive Speed 2WD	5.6 km/h
• Drive Speed 4WD	5.6 km/h
• Gradeability 2WD	25%
• Gradeability 4WD	45%
• Axle Oscillation	0.20 m
• Turning Radius - Inside	3.8 m 2WS
• Turning Radius - Outside	6.02 m 2WS

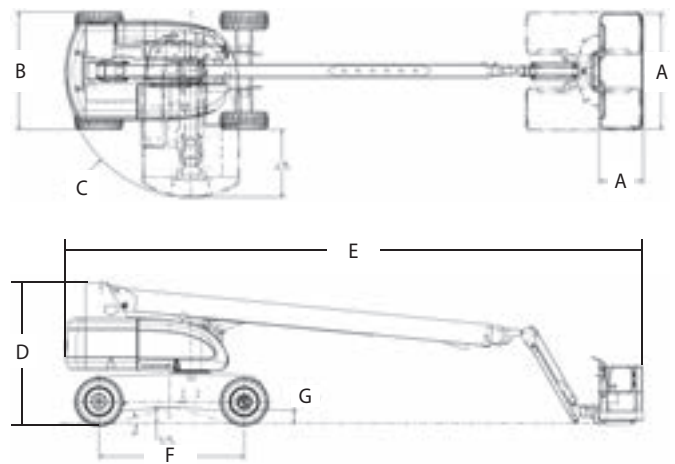


* Certain options or country standards may increase weight and/or dimensions.
** Incl. 0.65 m outreach beyond platform

Reach Diagram



Dimensions



IMPORTANT

JLG is continually researching and developing products and reserves the right to make modifications without prior notice. All data in this document is indicative. Certain options or country standards will increase weight. Specifications may change to meet country standards or with the addition of optional equipment.

Due to continuous product improvements, JLG Industries reserves the right to make specification and/or equipment changes without prior notification.



JLG EMEA BV

Polaris Avenue 63
2132 JH Hoofddorp
The Netherlands
Phone: +31 (0)23 565 5665
www.jlg.com

An Oshkosh Corporation Company