

# Specifications

Model	S-85
Height, working maximum	27.7 m
Height, platform maximum	25.9 m
Height, stowed maximum	2.8 m
Horizontal reach, maximum	23.3 m
Width, foam filled tires	2.5 m
Width, high flotation tires	2.6 m
Length, stowed	12.2 m
Maximum load capacity	227 kg
Maximum wind speed	12.5 m/s
Wheelbase	2.8 m
Turning radius (outside)	6.6 m
Turning radius (inside)	3.7 m
Turntable rotation (degrees)	Continuous
Turntable tailswing	1.4 m
Controls	12V DC proportional
Platform dimensions, 6 foot (length x width)	180 cm x 76 cm
Platform dimensions, 8 foot (length x width)	240 cm x 91 cm
Platform leveling	self-leveling
Platform rotation	160°
AC outlet in platform	standard
Hydraulic pressure, maximum (boom functions)	200 bar
System voltage	12V
Tire size	18-625, 16 ply FF
Tire size, High Flotation	41/18LL x 22.5, 14 ply
Ground clearance	33 cm
Fuel tank capacity, diesel	132 liters
Fuel tank capacity, gasoline	113.6 liters
Weight	17,237 kg

(Machine weights vary with option configurations. See serial label for specific machine weight.)

## Airborne noise emissions

Sound pressure level at ground workstation	85 dBA
Sound pressure level at platform workstation	78 dBA
Guaranteed sound power level	106 dBA

## Drive speeds

Drive speed, stowed	5.4 km/h 12.2m/8.2 sec
Drive speed, raised or extended	1.1 km/h 12.2m/44 sec

Total vibration value to which the hand/arm system is subjected does not exceed 2.5 m/s<sup>2</sup>.

Highest root mean square value of weighted acceleration to which the whole body is subjected does not exceed 0.5 m/s<sup>2</sup>.

## Maximum slope rating, stowed position, 2WD

Platform uphill	30%	17°
Platform downhill	15%	9°
Side slope	25%	14°

## Maximum slope rating, stowed position, 4WD

Platform uphill	45%	24°
Platform downhill	30%	17°
Side slope	25%	14°

Note: Slope rating is subject to ground conditions and adequate traction.

## Floor loading information

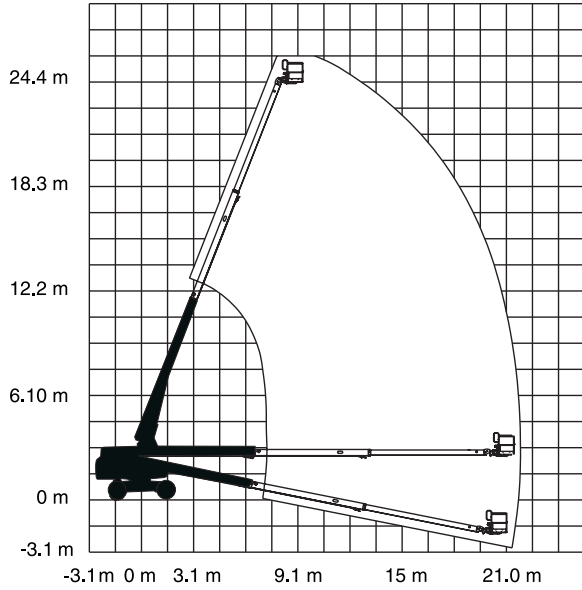
Tire load maximum	7961 kg
Tire contact pressure	7.03 kg/cm <sup>2</sup> 690 kPa
Occupied floor pressure	1782 kg/m <sup>2</sup> 17.5 kPa

Note: Floor loading information is approximate and does not incorporate different option configurations. It should be used only with adequate safety factors.

Continuous improvement of our products is a Genie policy. Product specifications are subject to change without notice or obligation.

# Specifications

**S-80 Range of Motion**



**S-85 Range of Motion**

