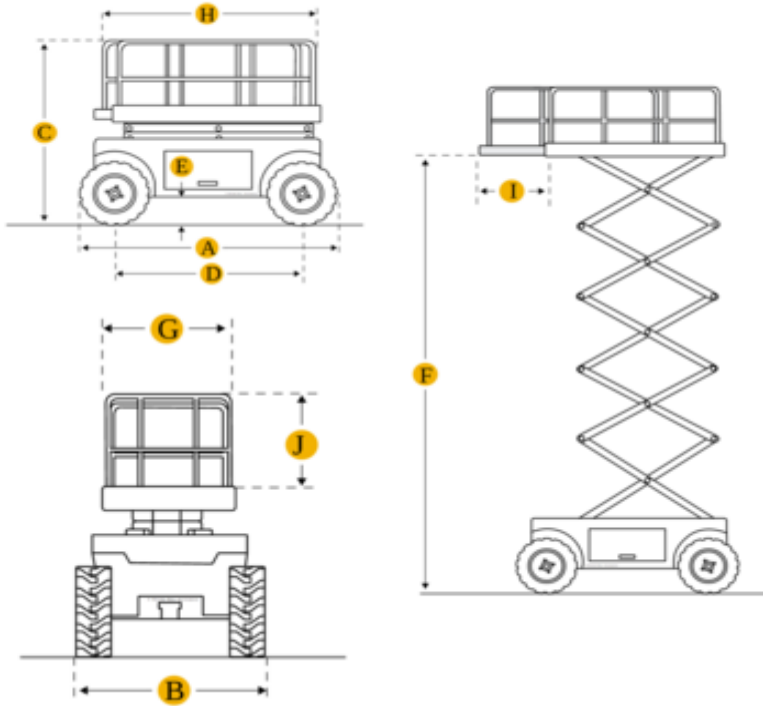


Genie GS4390RT Scissor Lift



Rental code

DSW150

Machine rental classification

↕ 15

454

Safety requirements

Machine specifications

Lifting propulsion	Diesel	Elevated manouvering	Yes
Driving propulsion	Diesel	Terrain & tires	Outdoor, Hard
Max. platform height (m)	13.11		
Max. working height (m)	15.11		
Max. working outreach (m)			
Machine weight (Kg)	5957		
Transport dimensions (LxWxH)	3.94 x 2.29 x 2.25		
Platform dimensions (LxW)	3.89 x 1.83		
Rec. number of people	3+		