

ZOOMLION ARTICULATING BOOM LIFTS

ZA24J

Comply with CE Standard



HIGHLIGHTS



- ▶ 550lb/250kg platform capacity for higher efficiency
- ▶ Build-in multiple pressure control system to enhance stability
- ▶ Precise load sensing system to improve overload safety operations
- ▶ Platform fast lifting function provides high-efficient performance without tower boom operation



FEATURES

Standard Features

| |
|-----------------------------|
| Horn |
| All motion alarm |
| Proportional control |
| Self-closing entry gate |
| Flashing amber beacon |
| Auto-leveling system |
| Emergency stop button |
| Over tilt protection system |
| Emergency descent system |
| On-board diagnostic system |
| Oscillating axle |
| 4.3' LED display |
| Load sensing system |
| Swing-out engine tray |
| Secondary Guarding System |

- ▶ Hostile Kits available for dusty working environment
- ▶ Outstanding below ground reach of 5.1m
- ▶ 86ft 11in/26.50m working height

Accessories & Options

- ▶ Platform work lights
- ▶ AC power to platform
- ▶ Air line to platform
- ▶ Engine heater
- ▶ Low-temperature hydraulic oil



ACCESS WITH ZOOMLION GREEN

Phone: 0086(731)-88353680 0086(731)-88250971
E-mail: awm@zoomlion.com

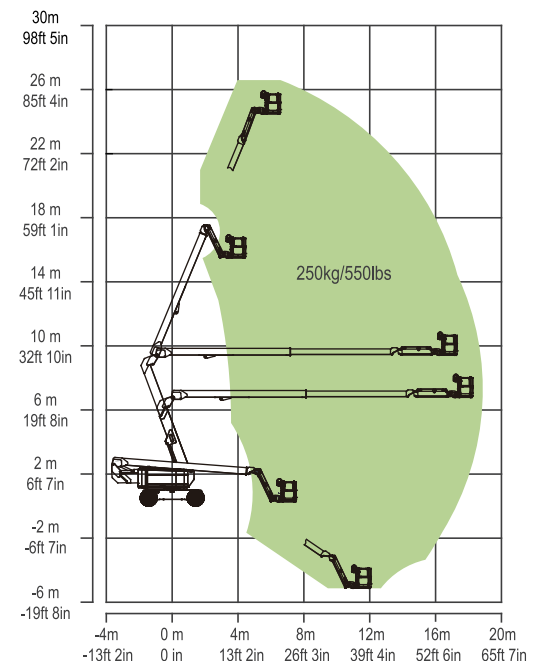
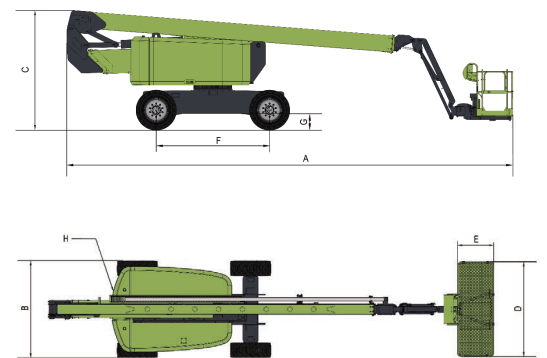
Add: ZOOMLION Wangcheng Industrial Park, Tengfei Road 997, Changsha, Hunan, China
Web: www.en.zoomlion.com

MAIN SPECS OF ARTICULATING BOOM LIFTS

ZA24J

Comply with CE Standard

| Model | ZA24J | |
|---------------------------|-----------------------------|----------|
| | Imperial | Metric |
| Size | | |
| Work Height | 86ft 11in | 26.5m |
| Platform Height | 80ft 5in | 24.5m |
| Horizontal Outreach | 62ft | 18.9m |
| Up and Over Height | 30ft 11in | 9.42m |
| A - Stowed Length | 36ft 11in | 11.25m |
| B - Stowed Width | 8ft 2in | 2.49m |
| C - Stowed Height | 9ft 10in | 3.0m |
| D - Platform Length | 8ft | 2.44m |
| E - Platform Width | 2ft 12in | 0.91m |
| Jib Length | 6ft | 1.83m |
| F - Wheelbase | 10ft | 3.05m |
| G - Ground Clearance | 1ft 4in | 0.4m |
| Performance | | |
| Platform Capacity | 550 lb | 250kg |
| Drive Speed | 3.11 mph | 5.0km/h |
| Gradeability | 45%(24°) | 45%(24°) |
| Axles Oscillation | 8in | 0.2m |
| Turning Radius (Inside) | 10ft 12in | 3.35m |
| Turning Radius (Outside) | 21ft 3in | 6.48m |
| Swing | 360° continuous | |
| Platform Rotation | ±90° | |
| H-Tail Swing | 3ft 1in | 0.94m |
| Max. Wind Speed | 28mph | 12.5m/s |
| Power | | |
| Diesel Engine | Cummins QSF2.8 54kW/2400rpm | |
| Fuel Tank Capacity | 39.6 (us gal) | 150L |
| Auxiliary Power | 12V | |
| Control Voltage | 12V | |
| Hydraulic System Capacity | 63.4 (us gal) | 240L |
| Hydraulic Tank Capacity | 47.6 (us gal) | 180L |
| Drive | 4WD | |
| Tire | | |
| Type | 15-625 Foam-filled Tires | |
| Weight | | |
| Gross | 40344 lb | 18300kg |



Range of Motion ZA24J